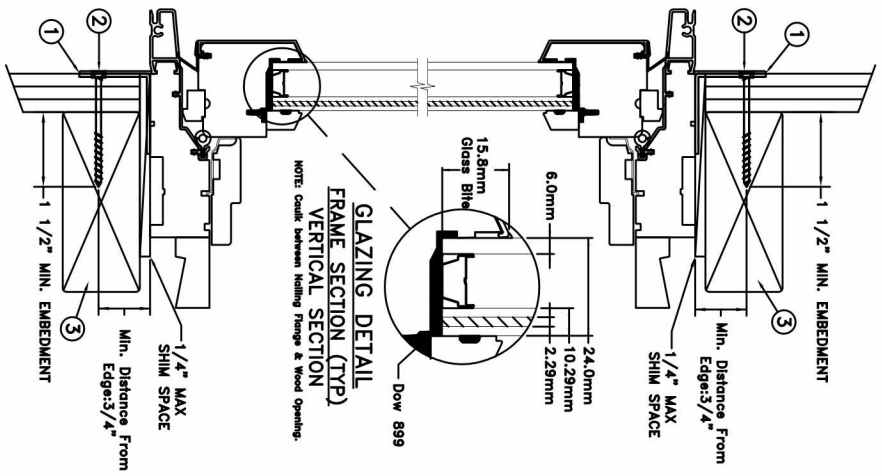
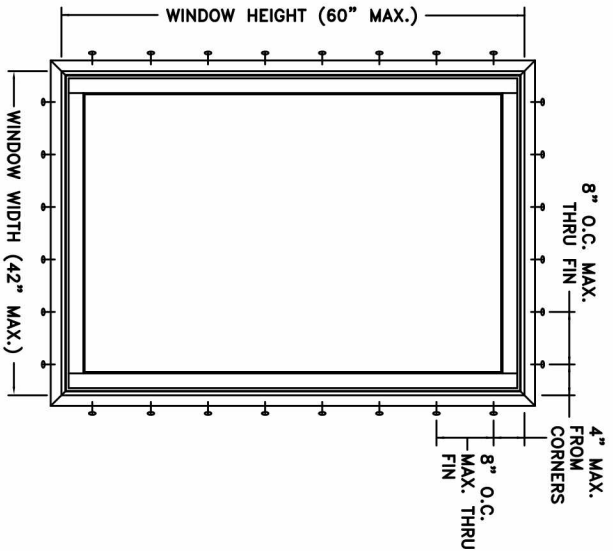
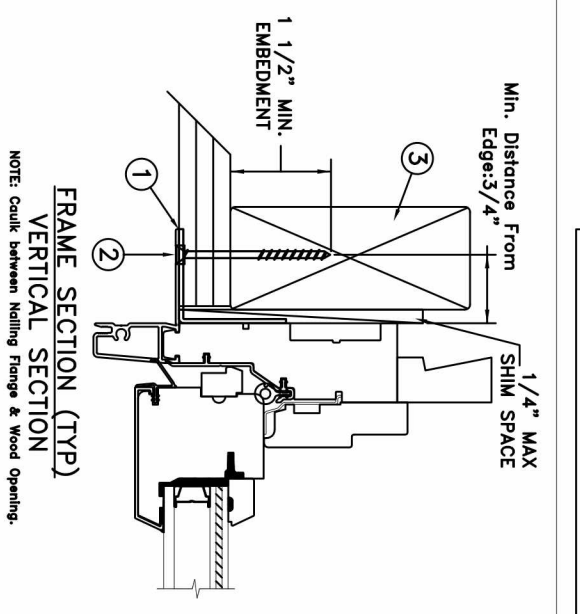


**TYPICAL ELEVATION WITH FASTENER SPACING**



**NAIL FIN INSTALLATION**



Max Frame	DP	IMPACT
42" X 60"	+50/-65	YES

**Installed Fastener Schedule:**

1. Seal flange/frame to substrate.
2. Use #8 PH or greater fasteners through nail fin with sufficient length to penetrate a minimum of 1 1/2" into the wood framing. For 2X wood frame substrate (min. S.G. = 0.42).
3. Host structure (wood buck, stud framing and opening) to be designed and anchored to properly transfer all loads to the structure. The host structure is the responsibility of the architect or engineer of record for the project of installation.

**General Notes:**

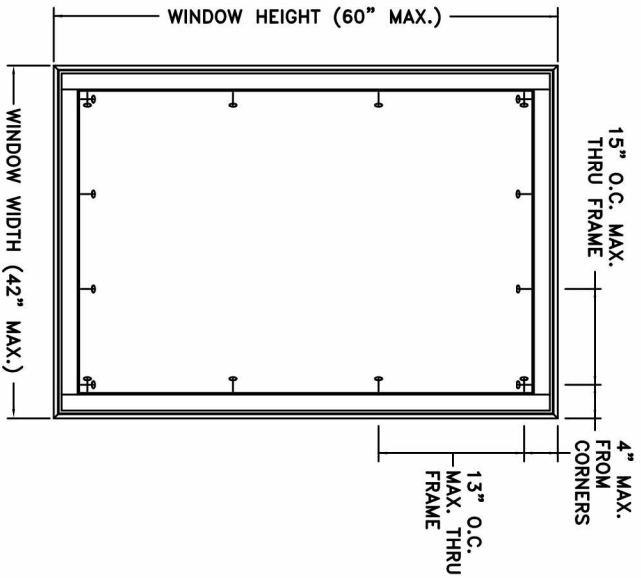
1. The product shown herein is designed, tested and manufactured to comply with the wind load criteria of the adopted International Building Code (IBC), the International Residential Code (IRC), the Florida Building Code (FBC) and the industry standard requirement for the stated conditions.
2. Buck, framing and masonry by others and is responsibility of architect or engineer of record.
3. All glazing shall conform to ASTM E1300.
4. At minimum, glazing shall be 4.0mm annealed - 13.0mm airspace - 2.5mm annealed - 2.29mm PVB Interlayer by Dupont - 2.5mm annealed insulating glass.

This schedule addresses only the fasteners required to anchor the window to achieve the rated design pressure up to the size limitations noted. It is not intended as a guide to the installation process and does not address the sealing consideration that may arise in different wall conditions. For the complete installation procedure, see the instructions packaged with the window or go to [www.jeld-wen.com](http://www.jeld-wen.com).

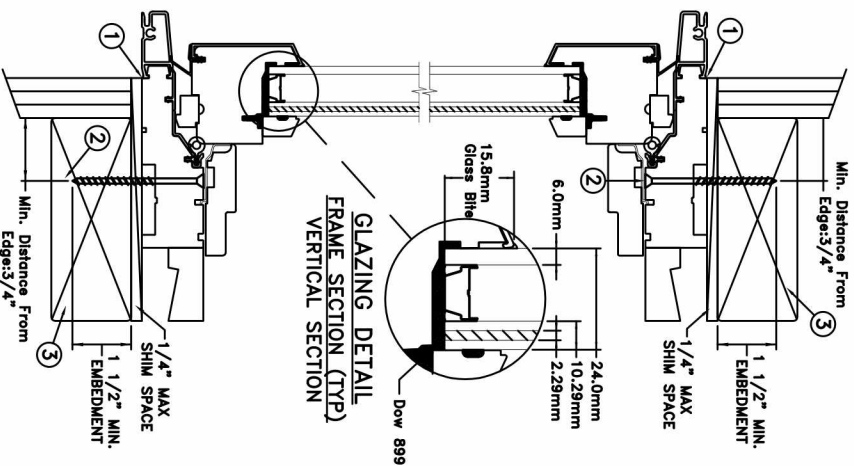
**DISCLAIMER:**

This drawing and its contents are confidential and are not to be reproduced or copied in whole or in part or used or disclosed to others except as authorized by JELD-WEN Inc.

PROJECT ENGINEER:	DATE:	09/30/2015
DRAWN BY:	SCALE:	NTS
D. Vezo	TITLE:	
CHECKED BY:	Stiteline Clad Casement Fixed Window	
K. Campbell		
APPROVED BY:		
D. Stokes		
PART/PROJECT No.:	3737 LAKEPORT BLVD.	
D009404	KLAMATH FALLS OR, 97601	
IDENTIFIER NO.:	PHONE: (800) 535-3936	
SIW2015-111		
PLANT NAME AND LOCATION:	CAD DWG. No.:	REV: 00
		SHEET



TYPICAL ELEVATION WITH FASTENER SPACING



THROUGH FRAME INSTALLATION

1 1/2" MIN. EMBEDMENT

1/4" MAX SHIM SPACE

Min. Distance From Edge: 3/4"

FRAME SECTION (TYP)

VERTICAL SECTION

Max Frame	DP	IMPACT
42" X 60"	+50/-65	YES

**Installed Fastener Schedule:**

1. Seal flange/frame to substrate.
2. Use #8 PH or greater fasteners through nail fin with sufficient length to penetrate a minimum of 1 1/2" into the wood framing. For 2X wood frame substrate (min. S.G. = 0.42).
3. Host structure (wood buck, stud framing and opening) to be designed and anchored to properly transfer all loads to the structure. The host structure is the responsibility of the architect or engineer of record for the project of installation.

**General Notes:**

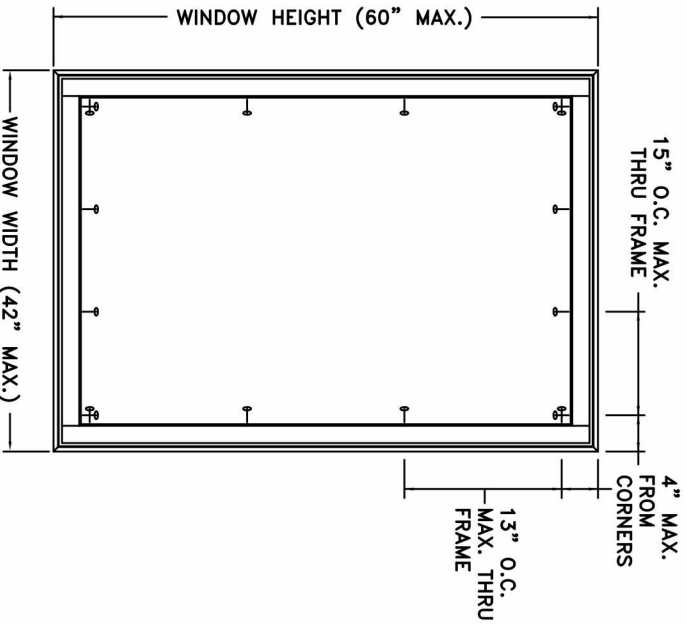
1. The product shown herein is designed, tested and manufactured to comply with the wind load criteria of the adopted International Building Code (IBC), the International Residential Code (IRC), the Florida Building Code (FBC) and the industry standard requirement for the stated conditions.
2. Buck, framing and masonry by others and its responsibility of architect or engineer of record.
3. All glazing shall conform to ASTM E1300.
4. At minimum, glazing shall be 4.0mm annealed - 13.0mm airspace - 2.5mm annealed - 2.29mm PVB Interlayer by Dupont - 2.5mm annealed insulating glass.

This schedule addresses only the fasteners required to anchor the window to achieve the rated design pressure up to the size limitations noted. It is not intended as a guide to the installation process and does not address the sealing consideration that may arise in different wall conditions. For the complete installation procedure, see the instructions packaged with the window or go to [www.jeld-wen.com](http://www.jeld-wen.com).

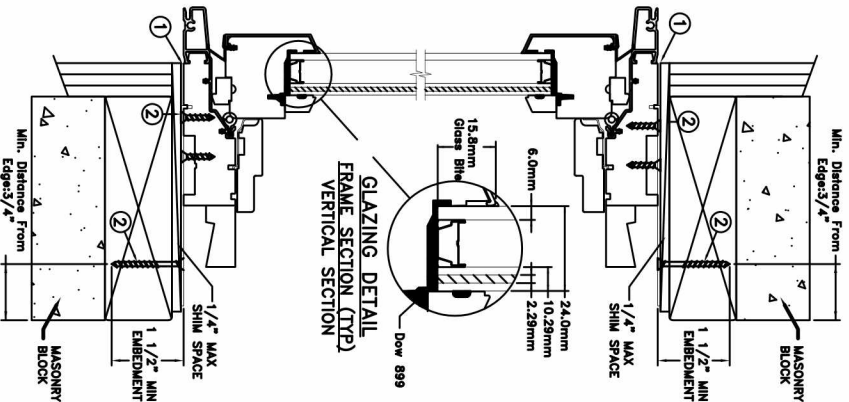
**DISCLAIMER:**

This drawing and its contents are confidential and are not to be reproduced or copied in whole or in part or used or disclosed to others except as authorized by JELD-WEN Inc.

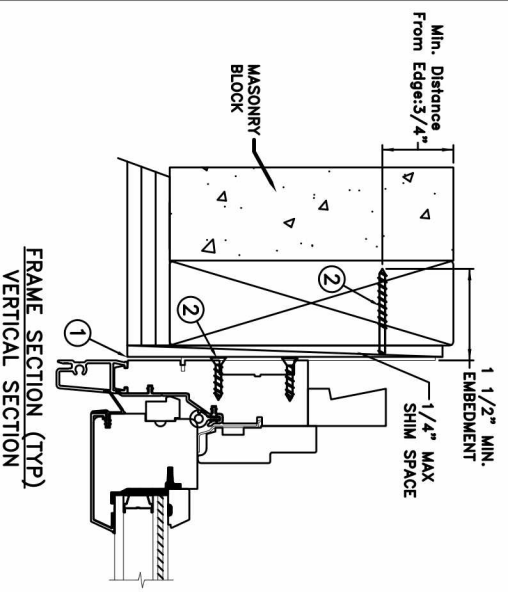
PROJECT ENGINEER:	DATE:	09/30/2015
DRAWN BY:	SCALE:	NTS
D. Vezo	TITLE:	Stiteline Clad Casement Fixed Window
CHECKED BY:	K. Campbell	
APPROVED BY:	D. Stokes	
PART/PROJECT No.:	D009404	
IDENTIFIER NO.:	SJW2015-111	
PLANT NAME AND LOCATION:	CAD DWG. No.:	REV: 00
3737 LAKEPORT BLVD.		SHEET
KLAMATH FALLS OR, 97601		
PHONE: (800) 535-3936		



TYPICAL ELEVATION WITH FASTENER SPACING



MASONRY STRAP INSTALLATION



Max Frame	DP	IMPACT
42" X 60"	+50/-65	YES

**Installed Fastener Schedule:**

1. Seal flange/frame to substrate.
2. Install masonry straps to wood frame using #8 corrosion resistant fasteners no more than 4" from each corner and 16" o.c. along the jambs and head. Bend straps around buck and secure with #8 fastener thru masonry strap into buck. Fasteners must be long enough to penetrate at least 1" into framing members.
3. Host structure (wood buck, stud framing and opening) to be designed and anchored to properly transfer all loads to the structure. The host structure is the responsibility of the architect or engineer of record for the project of installation.

**General Notes:**

1. The product shown herein is designed, tested and manufactured to comply with the wind load criteria of the adopted International Building Code (IBC), the International Residential Code (IRC), the Florida Building Code (FBC) and the industry standard requirement for the stated conditions.
2. Buck, framing and masonry by others and is responsibility of architect or engineer of record.
3. All glazing shall conform to ASTM E1300.
4. At minimum, glazing shall be 4.0mm annealed - 13.0mm airspace - 2.5mm annealed - 2.29mm PVB Interlayer by Dupont - 2.5mm annealed insulating glass.

This schedule addresses only the fasteners required to anchor the window to achieve the rated design pressure up to the size limitations noted. It is not intended as a guide to the installation process and does not address the sealing consideration that may arise in different wall conditions. For the complete installation procedure, see the instructions packaged with the window or go to [www.jeld-wen.com](http://www.jeld-wen.com).

**DISCLAIMER:**

This drawing and its contents are confidential and are not to be reproduced or copied in whole or in part or used or disclosed to others except as authorized by JELD-WEN Inc.

PROJECT ENGINEER:	DATE:	09/30/2015
DRAWN BY:	SCALE:	NTS
D. Vezo	TITLE:	
CHECKED BY:	<p align="center"><b>JELD-WEN</b></p> <p align="center">3737 LAKEPORT BLVD. KLAMATH FALLS OR, 97601 PHONE: (541) 882-3451</p>	
K. Campbell	<p align="center">Stiteline Clad Casement Fixed Window</p>	
APPROVED BY:	PLANT NAME AND LOCATION:	
D. Stokes		
PART/PROJECT No.:	CAD DWG. No.:	
D009404		
IDENTIFIER No.:	REV.:	00
SW2015-111		SHEET